

TOUCH PRO

50 / 70

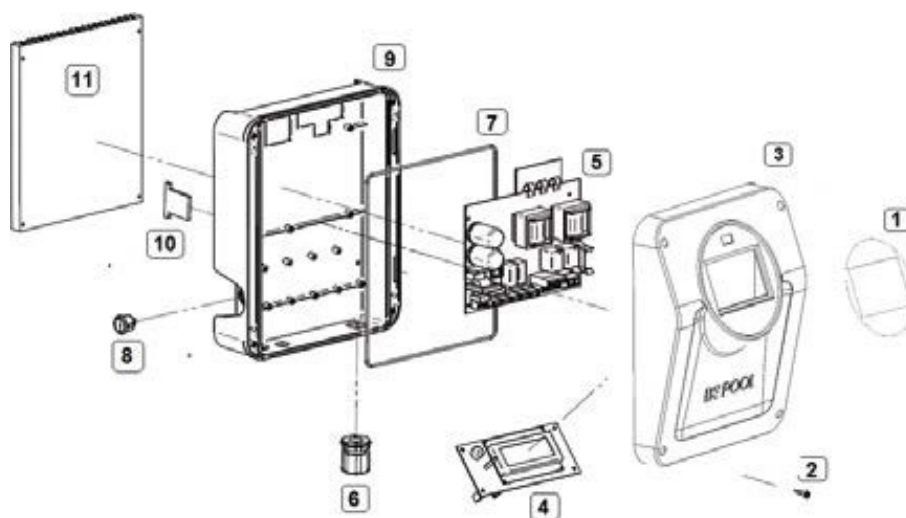


GRÁFICO
GRAPHIC

	Referencia / Reference	Descripción / Description	Observaciones / Notes
1	CARÁTULA-TOUCHPRO	Teclado / Keyboard	✓
2	424RFAH	Tornillos tapa / Cover screws	✓
3	TOUCHPRO-TAPA	Tapa / Cover	✓
4	P906-9	Placa de control / Control board	✓
4a	P906/9-LEDS	Placa LEDs / LEDs Plate	✓
5	P963	Placa de potencia / Power board	✓
5a	V2 P972	Placa de relés / Relays board	✓
6	M25JSL-N	Prensaestopas / Compression gland	✓
6a	M20JSL-N	Prensaestopas / Compression gland	✓
6b	M12 JSL-N	Prensaestopas / Compression gland	✓
6c	SP1312/S2C	Conector pH / pH Connector	✓
7	JUNTA 01	Junta / Waterproof seal	✓
8	R13112AAA	Interruptor / Switch	✓
8a	F0188LOAAA EVO-	Protector de interruptor / Switch protector	✓
9	BASE-N	Base caja EVO / EVO base box	✓
10	BISAGRA-GOMA	Bisagra / Hinge strap	✓
11	KK200/233/M/K-BSONE	Radiador / Heatsink	✓

TOUCH PRO

100 / 150

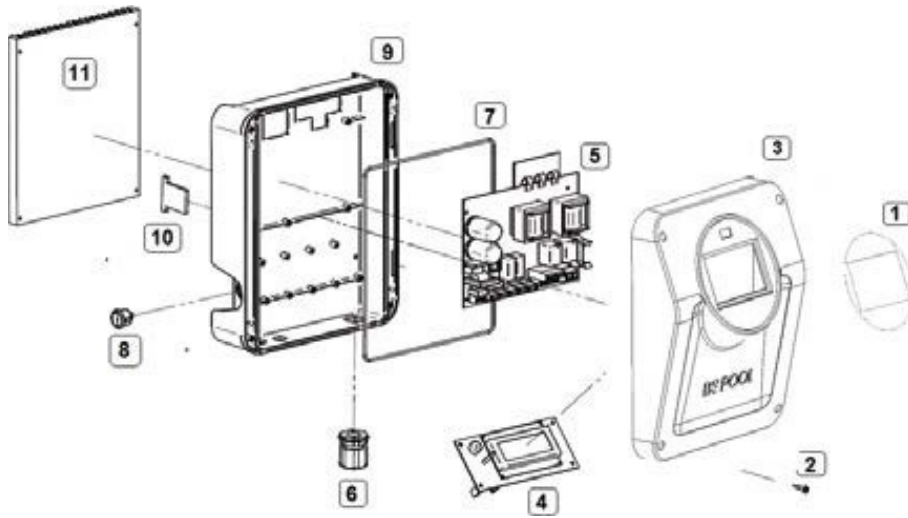


GRÁFICO
GRAPHIC

	Referencia / Reference	Descripción / Description	Observaciones / Notes
1	CARÁTULA-TOUCHPRO	Teclado / Keyboard	✓
2	424RFAH	Tornillos tapa / Cover screws	✓
3	TOUCHPRO-TAPA	Tapa / Cover	✓
4	P906-9	Placa de control / Control board	✓
4a	P906/9-LEDS	Placa LEDs / LEDs Plate	✓
5	P957a + P957B	Placa de potencia / Power board	✓
5a	P972	Placa de relés / Relays board	✓
6	M25JSL-N	Prensaestopas / Compression gland	✓
6a	M20JSL-N	Prensaestopas / Compression gland	✓
6b	M12 JSL-N	Prensaestopas / Compression gland	✓
6c	SPI312/S2C	Conector pH / pH Connector	✓
7	JUNTA 01	Junta / Waterproof seal	✓
8	R13112AAA	Interruptor / Switch	✓
8a	F0188LOAAA	Protector de interruptor / Switch protector	✓
9	EVO-BASE-N	Base caja EVO / EVO base box	✓
10	BISAGRA-GOMA	Bisagra / Hinge strap	✓
11	K200B/300B	Radiador / Heatsink	✓
11a	KK200/233/M/K-BSONE	Radiador / Heatsink	✓

TOUCH PRO

200

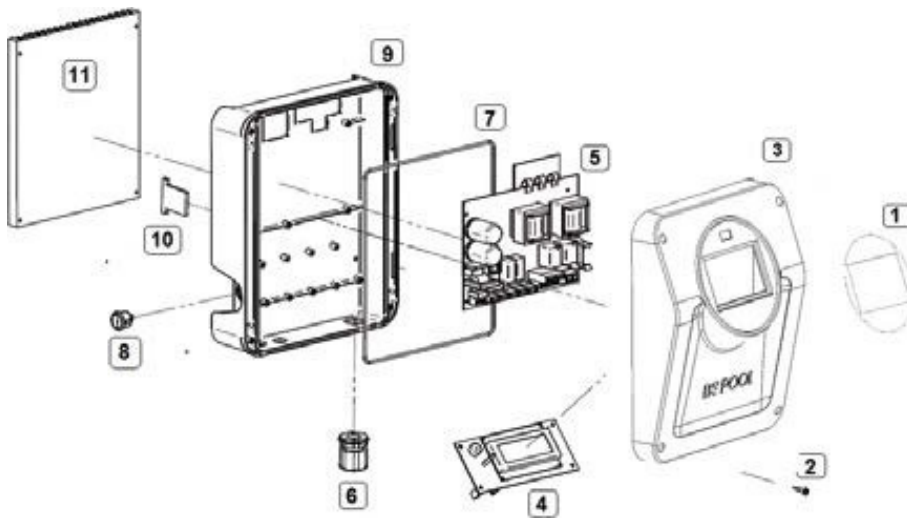


GRÁFICO
GRAPHIC

	Referencia / Reference	Descripción / Description	Observaciones / Notes
1	CARÁTULA-TOUCHPRO	Teclado / Keyboard	✓
2	424RFAH	Tornillos tapa / Cover screws	✓
3	TOUCHPRO-TAPA	Tapa / Cover	✓
4	P906-9	Placa de control / Control board	✓
4a	P906/9-LEDS	Placa LEDs / LEDs Plate	✓
5	P954AV2 + P954B + P954E + P954F + P954G-V2	Placa de potencia / Power board	✓
5a	P972	Placa de relés / Relays board	✓
6	RL9036-103-F1	Conector célula / Cell Connector	✓
6a	M20JSL-N	Prensaestopas / Compression gland	✓
6b	M12 JSL-N	Prensaestopas / Compression gland	✓
6c	SPI312/S2C	Conector pH / pH Connector	✓
7	JUNTA 01	Junta / Waterproof seal	✓
8	R13112AAA	Interruptor / Switch	✓
8a	F0188LOAAA	Protector de interruptor / Switch protector	✓
9	EVO-BASE-NV2	Base caja EVO / EVO base box	✓
10	BISAGRA-GOMA	Bisagra / Hinge strap	✓
11	KEA200/250-PRO200V2	Radiador / Heatsink	✓