

PC SMART + Controller

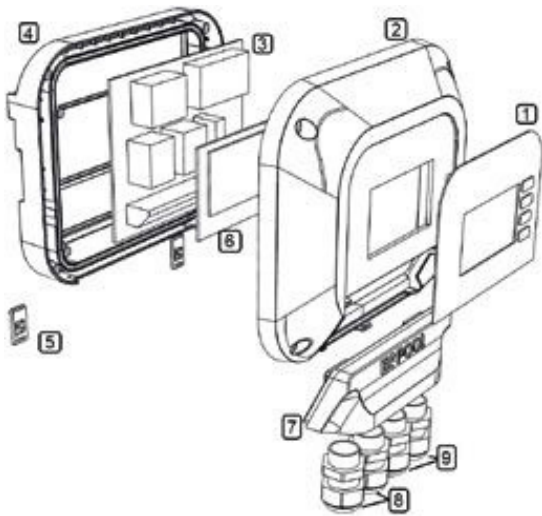


GRÁFICO
GRAPHIC

	Referencia / Reference	Descripción / Description	Observaciones / Notes
1	CARATULA-PCSMART	Teclado / Keyboard	✓
2	PCSMART-TAPA	Carcasa frontal / Front cover	✓
3	P974	Placa base / Main board	✓
4	PCSMART-BASE	Carcasa trasera / Rear cover	✓
5	CLIP DIN	Clip carril DIN / DIN rail clip	✓
6	PCSMART-CONEX	Tapa conexión / Connection cover	✓
7	P974-DISPLAY	Display LCD / LCD display	✓
8	M20JSL-N	Prensaestopa 20mm / 20mm cable gland	✓
9	M16JSL-N	Prensaestopa 16mm / 16mm cable gland	✓