

EVO BASIC

10 / 15 / 20 / 25 / 35

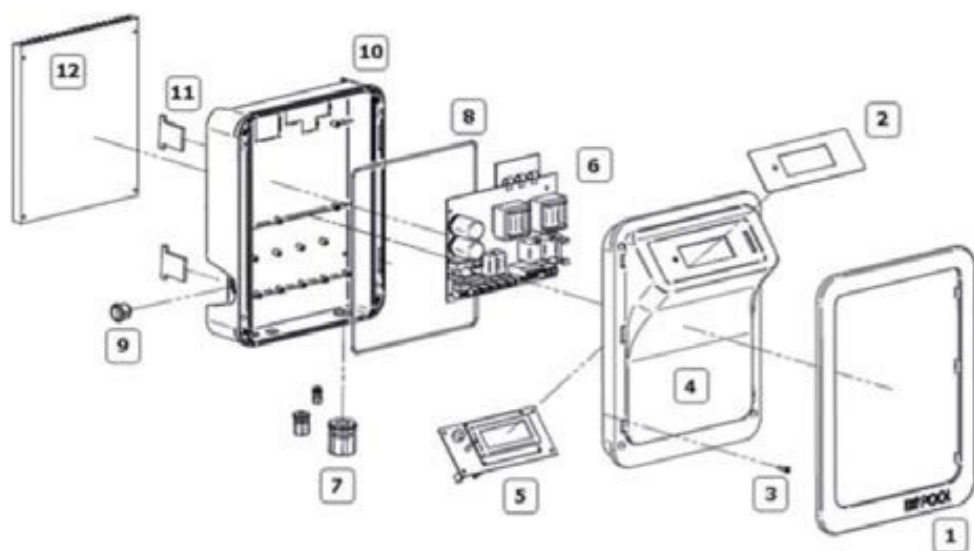


GRÁFICO
GRAPHIC

Referencia / Reference	Descripción / Description	Observaciones / Notes
1	EVO2-EM-NA Embellecedor / Frame	✓
2	TECLADO-EVO Teclado / Keyboard	✓
3	424RFAH Tornillos tapa / Cover screws	✓
4	EVO 2-TAPA-N Tapa / Cover	✓
5	P906-7 Placa de control / Control board	✓
6	P927-4 Placa de potencia / Power board	EVOBASIC10, EVOBASIC15
6a	P950-3 Placa de potencia / Power board	EVOBASIC20, EVOBASIC25
6b	P953-2 Placa de potencia / Power board	EVOBASIC35
7	M25JSL-N Prensaestopas / Compression gland	✓
7a	M20JSL-N Prensaestopas / Compression gland	✓
8	JUNTA 01 Junta / Waterproof seal	✓
9	R13112AAA Interruptor / Switch	✓
9a	F0188LOAAA Protector de interruptor / Switch protector	✓
10	EVO-BASE-N Base caja EVO / EVO base box	✓
11	BISAGRA-GOMA Bisagra / Hinge strap	✓
12	KPA200/228/EVO Radiador / Heatsink	EVOBASIC10, EVOBASIC15
12a	KK200/233/M/K-EVO Radiador / Heatsink	EVOBASIC20, EVOBASIC25
12b	KK200/270/M/K-EVO Radiador / Heatsink	EVOBASIC35