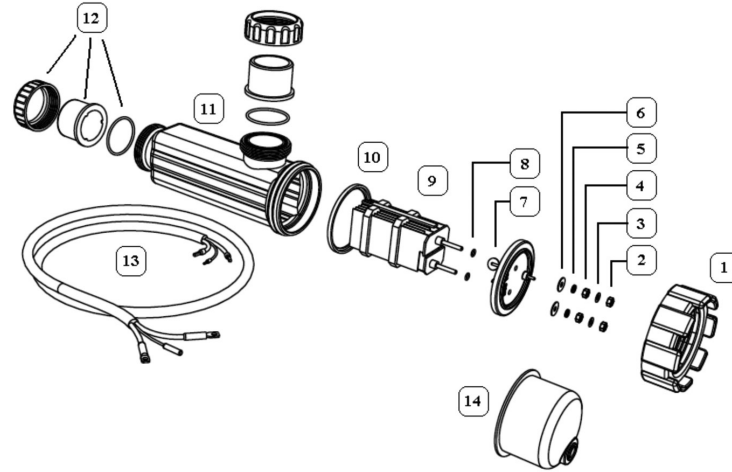
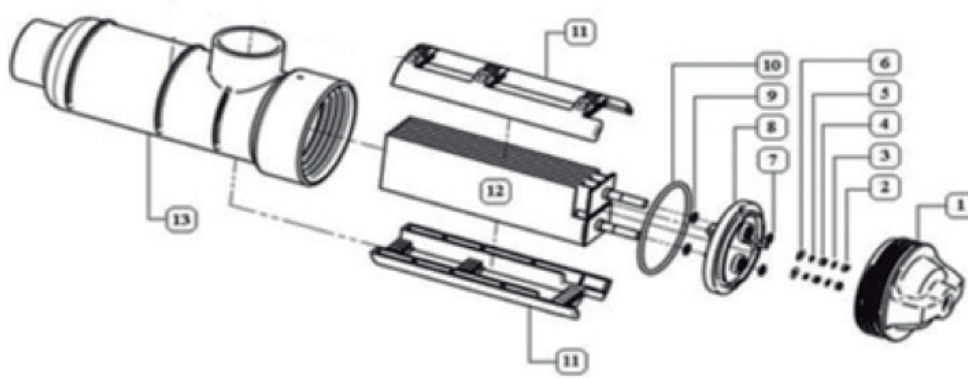


# RP10/2, RP15/2, RP20/2, RP25/2, RP35/2, RP50/2



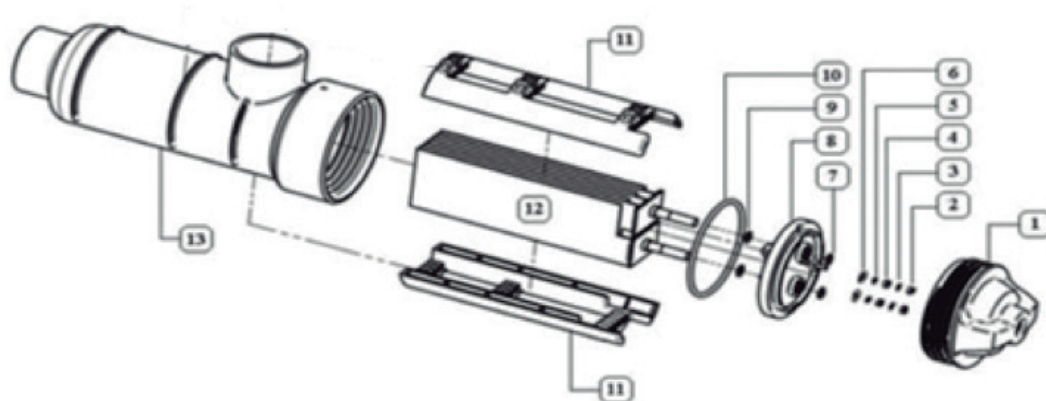
	Referencia Reference	Descripción Description	Observaciones Notes
1	<b>ROSCARP</b>	Rosca célula / Cell thread	RP10/2, RP15/2, RP20/2, RP25/2, RP35/2
1a	<b>ROSCARP50</b>	Rosca célula / Cell thread	RP50/2
2	<b>TRM6I</b>	Tuerca / Lock nut	RP10/2, RP15/2, RP20/2, RP25/2
2a	<b>TRM8I</b>	Tuerca / Lock nut	RP35/2, RP50/2
3	<b>ARM6I</b>	Arandela / Washer	RP10/2, RP15/2, RP20/2, RP25/2
3a	<b>ARM8I</b>	Arandela / Washer	RP35/2, RP50/2
4	<b>TRM6I</b>	Tuerca / Lock nut	RP10/2, RP15/2, RP20/2, RP25/2
4a	<b>TRM8I</b>	Tuerca / Lock nut	RP35/2, RP50/2
5	<b>ARM6I-P</b>	Arandela plana / Flat washer	RP10/2, RP15/2, RP20/2, RP25/2
5a	<b>ARM8I-P</b>	Arandela plana / Flat washer	RP35/2, RP50/2
6	<b>ARG6I</b>	Arandela growe / Growe washer	RP10/2, RP15/2, RP20/2, RP25/2
6a	<b>ARG8I</b>	Arandela growe / Growe washer	RP35/2, RP50/2
7	<b>TAZRP</b>	Tapa célula / Cover cell	RP10/2, RP15/2, RP20/2, RP25/2
7a	<b>TAZRP35</b>	Tapa célula / Cover cell	RP35/2
7b	<b>TAZRP50</b>	Tapa célula / Cover cell	RP50/2
7c	<b>TAZRP50-CIEGA</b>	tapa célula ciega / Blind cover cell	RP50/2
8	<b>JTRP-O-RING</b>	Junta tórica / Gasket	RP10/2, RP15/2, RP20/2, RP25/2, RP35/2, RP50/2
9	<b>RP*/2</b>	Célula / Cell	RP10/2, RP15/2, RP20/2, RP25/2, RP35/2, RP50/2
10	<b>GIPRP</b>	Junta de goma / Rubber gasket	RP10/2, RP15/2, RP20/2, RP25/2, RP35/2
10a	<b>GIPRP50</b>	Junta de goma / Rubber gasket	RP50/2
11	<b>RP/1</b>	Vaso célula / Housing cell	RP10/2, RP15/2, RP20/2, RP25/2, RP35/2
11a	<b>RP-50</b>	Vaso célula / Housing cell	RP50/2
12	<b>C-RP</b>	Protección célula / Cell protection	RP10/2, RP15/2, RP20/2, RP25/2, RP35/2
12a	<b>C-RP50</b>	protección célula / Cell protection	RP50/2
13	<b>RP10/151,5M-3</b>	Cable célula / Cell wire	RP10/2, RP15/2
13a	<b>RP20/251,5M-3</b>	Cable célula / Cell wire	RP20/2, RP25/2
13b	<b>RP351,5M-3</b>	Cable célula / Cell wire	RP35/2
13c	<b>RAG21611/1,6</b>	Cable célula / Cell wire	RP50/2

# RP10/3, RP15/3, RP20/3, RP25/3, RP35/3



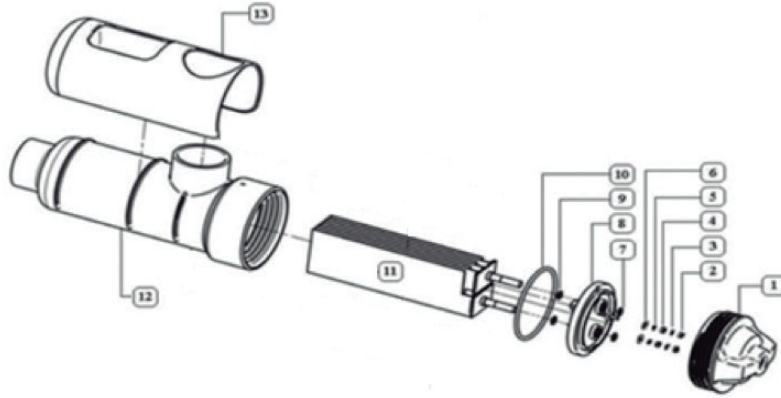
	Referencia Reference	Descripción Description	Observaciones Notes
1	RCBSV	Rosca célula / Cell thread	✓
2	TRM8I	Tuerca / Lock nut	✓
3	ARM8I	Arandela / Washer	✓
4	TRM8I	Tuerca / Lock nut	✓
5	ARG8I	Arandela grower (8mm) / Grower washer	✓
6	ARM8I	Arandela / Washer	✓
7	418506	Junta tórica / O-ring gasket	✓
8	TAZRP/3	Tapa célula / Cell cover	✓
8a	TAZRP/3-CIEGA	Tapa célula ciega / Blind cover cell	✓
9	418506	Junta tórica / O-ring gasket	✓
10	GIPRP3	Junta de goma / Rubber gasket	✓
11	GRAPAR/3	Grapa / Clamp	✓
12	RP*/3	Célula / Cell	✓
13	RP/3	Vaso célula / Cell housing	✓
14	EMNRP/3	Embellecedor naranja / Orange hubcap	✓

# RP10/3-5-V, RP15/3-5-V, RP20/3-5-V, RP25/3-5-V, RP35/3-5-V



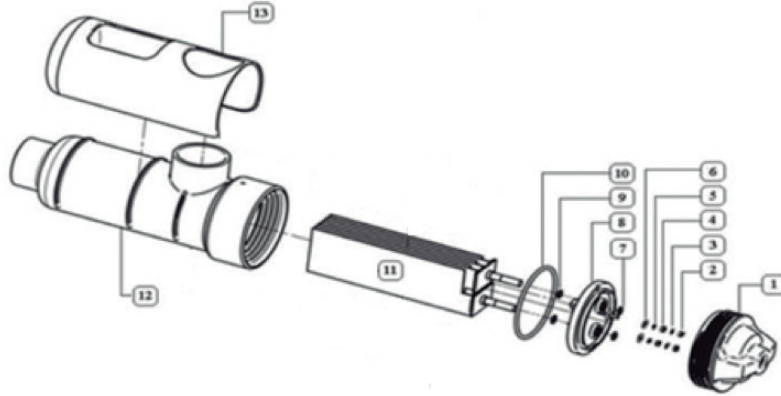
	Referencia Reference	Descripción Description	Observaciones Notes
1	RCBSV	Rosca célula / Cell thread	✓
2	TRM8I	Tuerca / Lock nut	✓
3	ARM8I	Arandela / Washer	✓
4	TRM8I	Tuerca / Lock nut	✓
5	ARG8I	Arandela grower (8mm) / Grower washer	✓
6	ARM8I	Arandela / Washer	✓
7	418506	Junta tórica / O-ring gasketd	✓
8	TAZRP/3-V	Tapa célula / Cell cover	✓
8a	TAZRP/3-CIEGA	Tapa célula ciega / Blind cover cell	✓
9	418506	Junta tórica / O-ring gasketd	✓
10	GIPRP3	Junta de goma / Rubber gasket	✓
11	GRAPARP/3	Grapa / Clamp	✓
12	RP*/3	Célula / Cell	✓
13	RP/3	Vaso célula / Cell housing	✓

# RP15/3MG, RP25/3MG, RP35/3MG



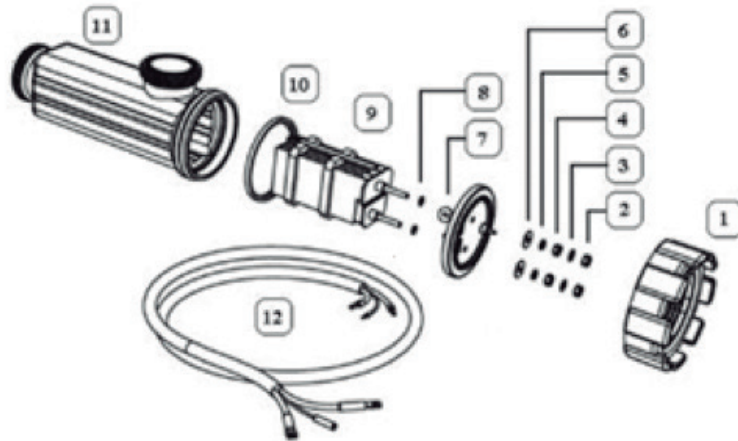
	Referencia Reference	Descripción Description	Observaciones Notes
1	RCBSV	Rosca célula / Cell thread	✓
2	TRM8I	Tuerca / Lock nut	✓
3	ARM8I	Arandela / Washer	✓
4	TRM8I	Tuerca / Lock nut	✓
5	ARG8I	Arandela grower (8mm) / Grower washer	✓
6	ARM8I	Arandela / Washer	✓
7	418506	Junta tórica / O-ring gasket	✓
8	TAZRP/3-2674	Tapa célula / Cell cover	✓
8a	TAZRP/3-CIEGA	Tapa célula ciega / Blind cover cell	✓
9	418506	Junta tórica / O-ring gasket	✓
10	GIPRP3	Junta de goma / Rubber gasket	✓
11	GRAPARP/3	Grapa / Clamp	✓
12	RP*/3	Célula / Cell	✓
13	RP/3	Vaso célula / Cell housing	✓
14	EMAZRP/3	Embellecedor azul / Blue hubcap	✓

# RP15/3LS, RP25/3LS, RP30/3LS



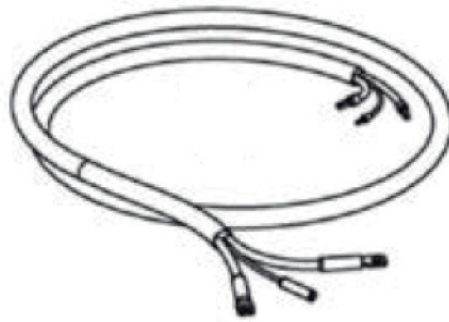
	Referencia Reference	Descripción Description	Observaciones Notes
1	RCBSV	Rosca célula / Cell thread	✓
2	TRM8I	Tuerca / Lock nut	✓
3	ARM8I	Arandela / Washer	✓
4	TRM8I	Tuerca / Lock nut	✓
5	ARG8I	Arandela grower (8mm) / Grower washer	✓
6	ARM8I	Arandela / Washer	✓
7	418506	Junta tórica / O-ring gasket	✓
8	TAZRP/3-A	Tapa célula / Cell cover	✓
8a	TAZRP/3-CIEGA	Tapa célula ciega / Blind cover cell	✓
9	418506	Junta tórica / O-ring gasket	✓
10	GIPRP3	Junta de goma / Rubber gasket	✓
11	RP*/3	Célula / Cell	✓
12	RP/3	Vaso célula / Cell housing	✓
13	EMARP/3	Embellecedor amarillo / Yellow hubcap	✓

# RP50/3, RP70/3



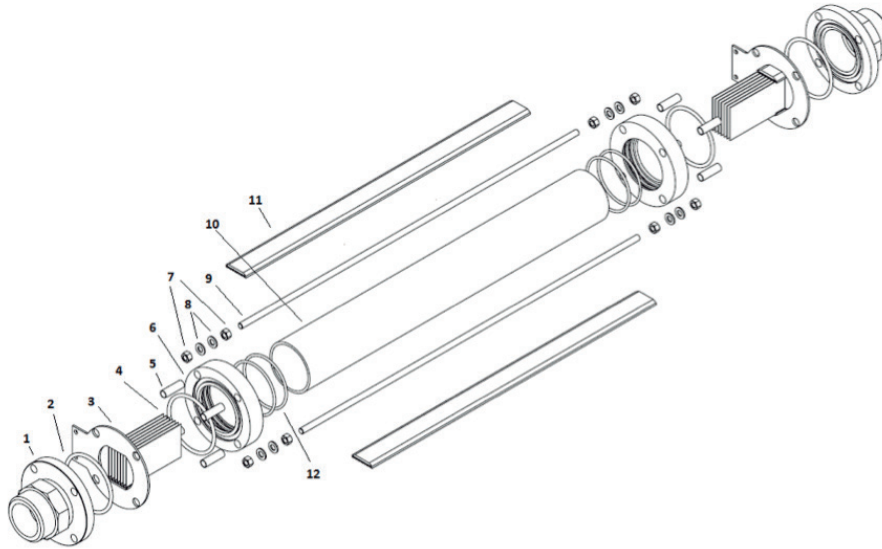
	Referencia Reference	Descripción Description	Observaciones Notes
1	<b>ROSCARP50</b>	Rosca célula / Cell thread	✓
2	<b>TRM8I</b>	Tuerca / Lock nut	✓
3	<b>ARM8I</b>	Arandela / Washer	✓
4	<b>TRM8I</b>	Tuerca / Lock nut	✓
5	<b>ARM8I-P</b>	Arandela plana / Flat washer	✓
6	<b>ARG8I</b>	Arandela growe / Grove washer	✓
7	<b>TAZRP50-70/3</b>	Tapa célula / Cover cell	✓
8	<b>JTRP-O-RING</b>	Junta tórica / Gasket	✓
9	<b>RP50-70/3</b>	Célula / Cell	✓
10	<b>GIPRP50</b>	Junta de goma / Rubber gasket	✓
11	<b>RP-50</b>	Vaso célula / Housing cell	✓
12	<b>RP10/151,5M-3</b>	Cable célula / Cell wire	✓

# Cable celulas



	Referencia Reference	Descripción Description
1	RP10/151,5M-3	Cable célula / Cell wire – 1.6m
2	RP10/153M-3	Cable célula / Cell wire – 3m
3	RP10/156M-3	Cable célula / Cell wire – 6m
4	RP20-25/3 RP15/3LS RP50-70/3	-----
5	RP20/251,5M-3	Cable célula / Cell wire – 1.6m
6	RP20/253M-3	Cable célula / Cell wire – 3m
7	RP20/256M-3	Cable célula / Cell wire – 6m
8	RP35/3 RP20/3LS	-----
9	RP351,5M-3	Cable célula / Cell wire – 1.6m
10	RP351,5M-3	Cable célula / Cell wire – 3m
11	RP351,5M-3	Cable célula / Cell wire – 6m
12	RP10-15-20-25/2	-----
13	RAG2611/1,6	Cable célula / Cell wire – 1.6m
14	RP35/2	-----
15	RAG21011/1,6	Cable célula / Cell wire – 1.6m
16	RP50/2	-----
17	RAG21611/1,6	Cable célula / Cell wire – 1.6m

# RP100, RP150, RP200, RP250-CIS



	Referencia Reference	Descripción Description	Observaciones Notes
1	H.BSV.0002	Brida (conexión) / Flange (connection)	☑
2	K.3.OR.00053	Junta tórica / O-ring gasket	☑
3	NO SE SUMINISTRA	-----	-----
4	K.3.OR.00053	Junta tórica / O-ring gasket	☑
5	G.K.T.010	Protección tubo / Tube protection	☑
6	H.MAC.0151	Brida (carcasa) / Flange (casing)	☑
7	TRM12I	Tuerca / Lock nut	☑
8	ARM13I	Arandela / Washer	☑
9	1630408	Barra roscada / Threaded end	☑
10	G.K.T.004-RP100	Tubo (vaso) / Tube (case)	RP100
10a	G.K.T.004-RP150	Tubo (vaso) / Tube (case)	RP150
10b	G.K.T.004-RP200	Tubo (vaso) / Tube (case)	RP200
10c	G.K.T.004-RP250-CIS	Tubo (vaso) / Tube (case)	RP250-CIS
11	H.BSV.0422	Grapa / Grooveplate	RP100
11a	H.BSV.0028	Grapa / Grooveplate	RP150
11b	H.BSV.0464	Grapa / Grooveplate	RP200
11c	H.BSV.0450	Grapa / Grooveplate	RP250-CIS
12	K.3.OR.00054	Junta tórica / O-ring gasket	☑